

Sinclair Industries, Inc.

Quality Engineered Bleachers



www.sncl.com

Angle Steel or Aluminum Bleachers

Permanent or Portable



Low Maintenance

All steel structural members are hot-dipped galvanized after fabrication. Aluminum structural members are standard mill finished.

Both aluminum and steel require little or no maintenance after installation.



Flexibility Our bleachers are extremely versatile. All parts are completely interchangeable. For example, a 15-row section can be quickly disassembled into three five-row sections and set up in a different location. All sections are lightweight and easily portable from one location to another.

Comfort You will have plenty of leg and back room and avoid "crowding". Back-to-back distance is 24". In addition, each seat row is 8" above the seat row immediately in front of it and 17" above its corresponding footboard. Your bleachers are designed to provide spectator comfort.

Service We will provide you with engineering and consultation service. Simply tell us what your basic needs are and we will submit proposals and quotations to meet your seating requirements.

Strength Bleacher frames are fabricated from A36 structural steel or 6061T6 aluminum. All parts are electrically welded into integral frames. Each bleacher is cross-braced with pivoted tubular members bolted at the center.

Customized Options

Let us offer you the following customized options:

- Choice of structural materials
- Portability kits and designs
- Choice of seating materials
- Additions to existing seating
- Replacement seating
- Bleachers designed to natural contour
- Special configuration needs

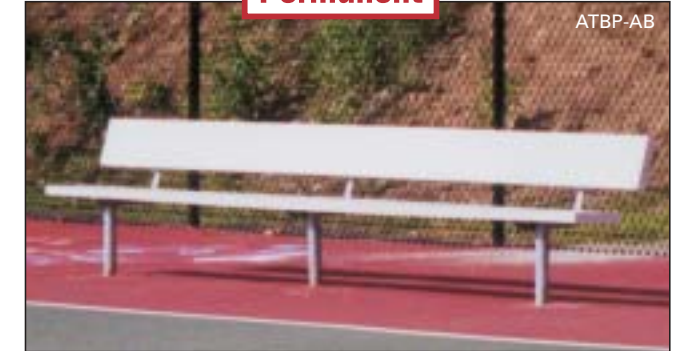
Team Benches



Portable



Permanent



Tilt & Roll Bleachers

Fast, Easy Moving!

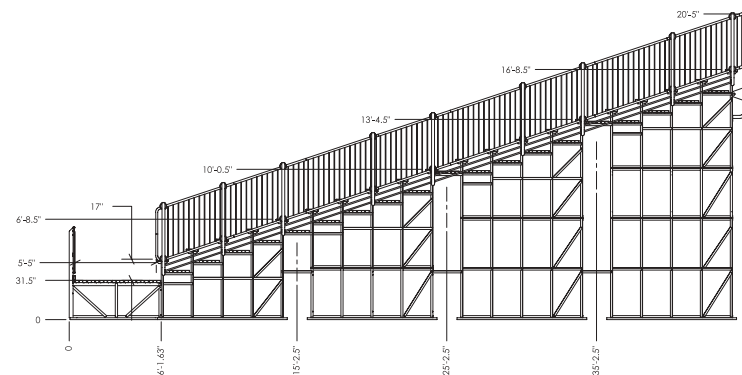
Wherever, and whenever auxiliary seating is required, simply roll in Sinclair's Tilt & Roll Bleachers. These handsome lightweight angle steel or aluminum units feature the same high quality materials as our large capacity systems. Standard tilt & rolls include 2 or 3 row units in 9', 15', 21' and 27' lengths with large 5" non-marring swivel casters for easy one-person handling.

- Heavy-duty construction for performance both indoors and outdoors.
- Anodized aluminum seat delivers extra durability and continual attractiveness.
- Steel frame is hot-dipped galvanized after fabrication.
- Large 5" non-marring casters make for easy, one-person handling on hard surfaces.
- Maintenance-free.
- Will not splinter or snag.



Available in Standard Lengths

- 2 and 3 row units
- 9' 15' 21' 27' standard
- Other sizes available on request



ATBP-AB and Scoring Table

Sinclair Industries' heavy-duty portable team benches offer the same outstanding durability and performance as our permanent team benches plus the added convenience of portability. Sinclair Industries' portable team benches combine strength and lightweight construction for economical team seating both indoors and outdoors.

- Heavy-duty construction for performance both indoors and outdoors.
- Anodized aluminum seat delivers extra durability and continual attractiveness.
- Steel frame is hot-dipped galvanized after fabrication or painted.
- Easy to install by embedding in or bolting to concrete.
- Maintenance-free.
- Will not splinter or snag.
- Easy to mow or clean around.

Available in Standard Lengths

- 7 1/2' 15' 21' 27' standard
- Other sizes available on request



Custom-Tailored Seating

At Sinclair Industries we realize not all seating applications are alike. That is why in addition to our many standard-seating sizes we offer custom design services.

Take your measurements and give them to us along with your seating requirements. Our trained staff of seating specialists will do the rest. You will receive high quality Sinclair Industries seating custom designed to meet your needs and budget!



Hearnes Center—University of Missouri

Portable Stages

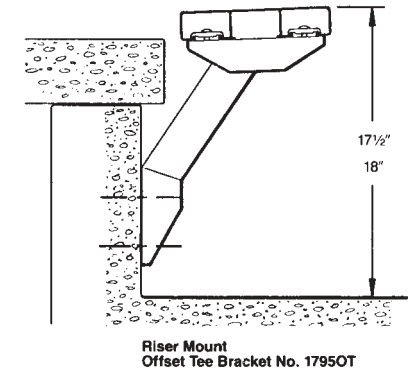
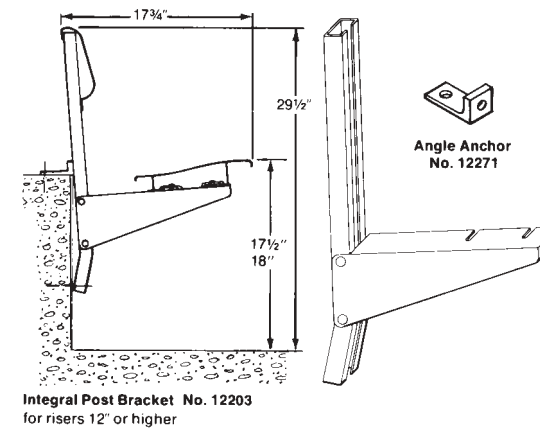
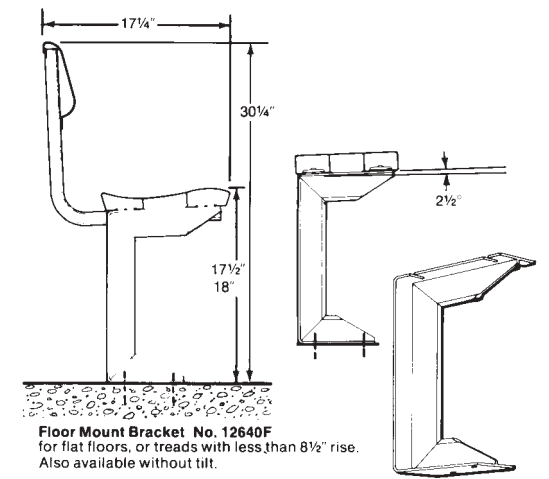
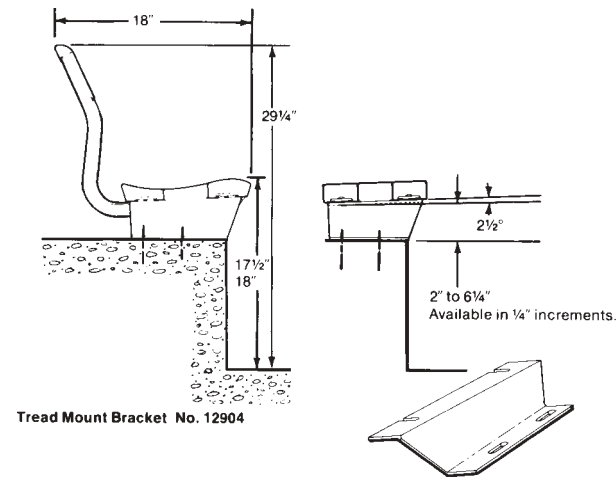
Perfect for areas where permanent staging would be impractical. Frame sections made of angle steel or aluminum provide unparalleled strength and stability. The platform area features fluted aluminum planking or wood for safety. Special design considerations enable this unit to be used outdoors as well as indoors.

Choral or Chair Risers

New from Sinclair...portable, easy to erect Chair or Choral Risers. Angle steel or aluminum understructures offer the same strength and durability as other Sinclair products. A variety of footboards can be supplied to customer's specifications.

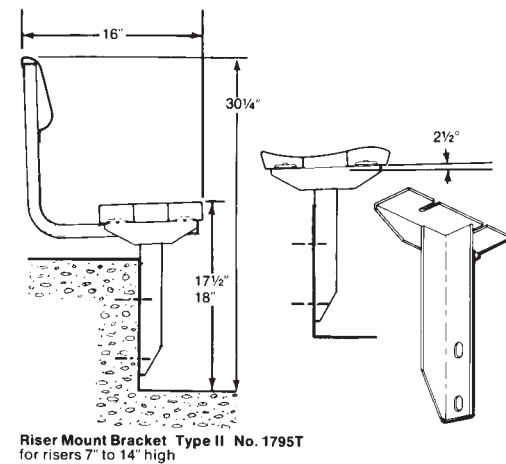
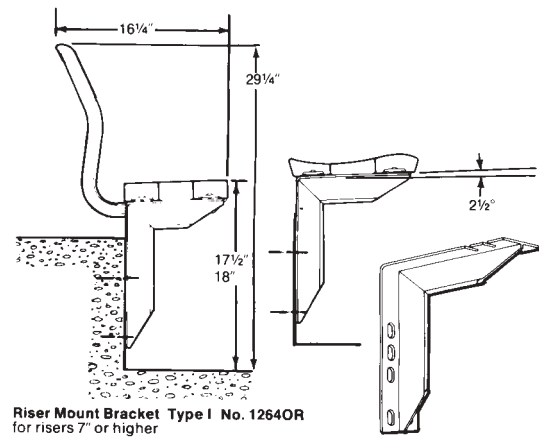
Spectator Benches

Installation Dimensions Continued



Spectator Benches

Installation Dimensions

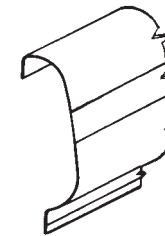


Back Rests & Stanchions

Contoured



End Cap No. 15345

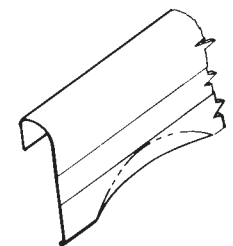


Back Rest No. 11530

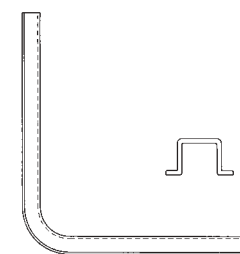
Dish Contoured



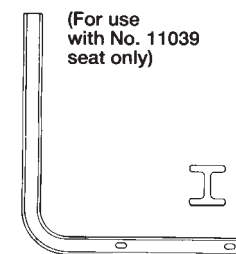
End Cap No. 11165



No. 11161 Back Rest
Dish centers on 18 inch, 19 inch, 20 inch, 21 inch or 22 inch

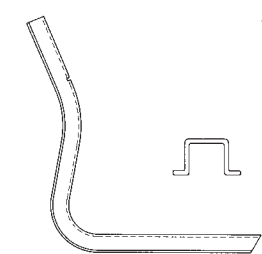


Stanchion No. 13451

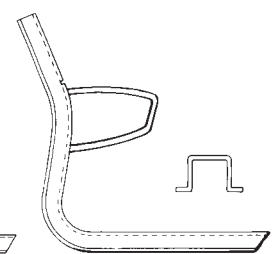


Stanchion No. 10777

Spaced not more than 6 feet apart.



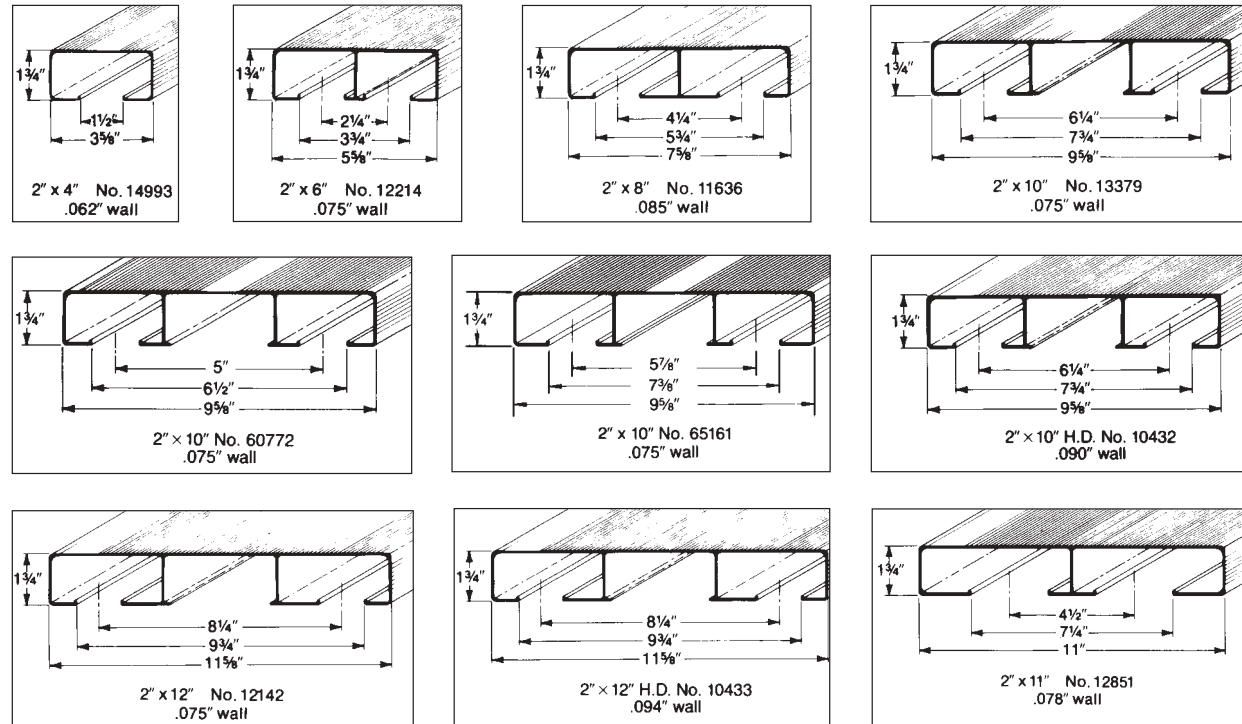
Stanchion No. 13451-D



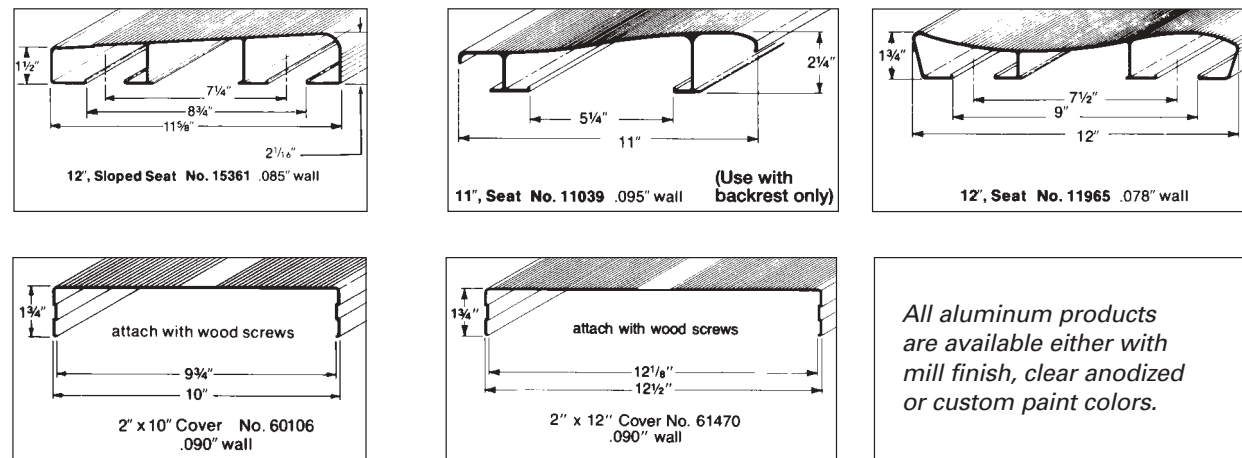
Stanchion No. 13451-DA

Placed between seats.

Standard Aluminum Seating



Contoured Bench Seats • Seat Covers



Spectator Benches—Accessories

Hold-Down Clamps

Standard Hold-down Clamp No. 12875
use 5/16" x 1/4" carriage bolt

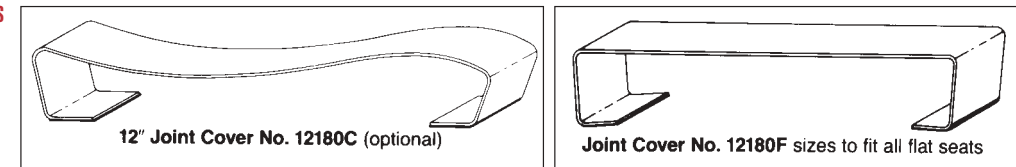


Special hold-down Clamp No. 12852
(for use with No. 12851 seat)
use 5/16" x 1/4" carriage bolt

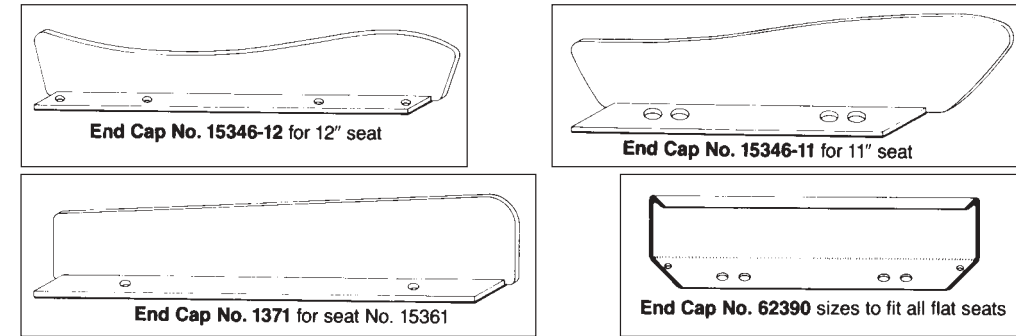


Spectator Benches—Accessories

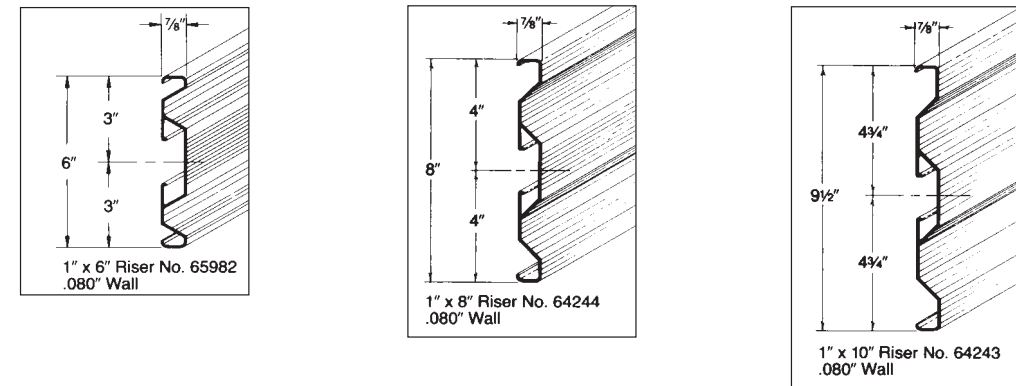
Joint Covers



End Caps

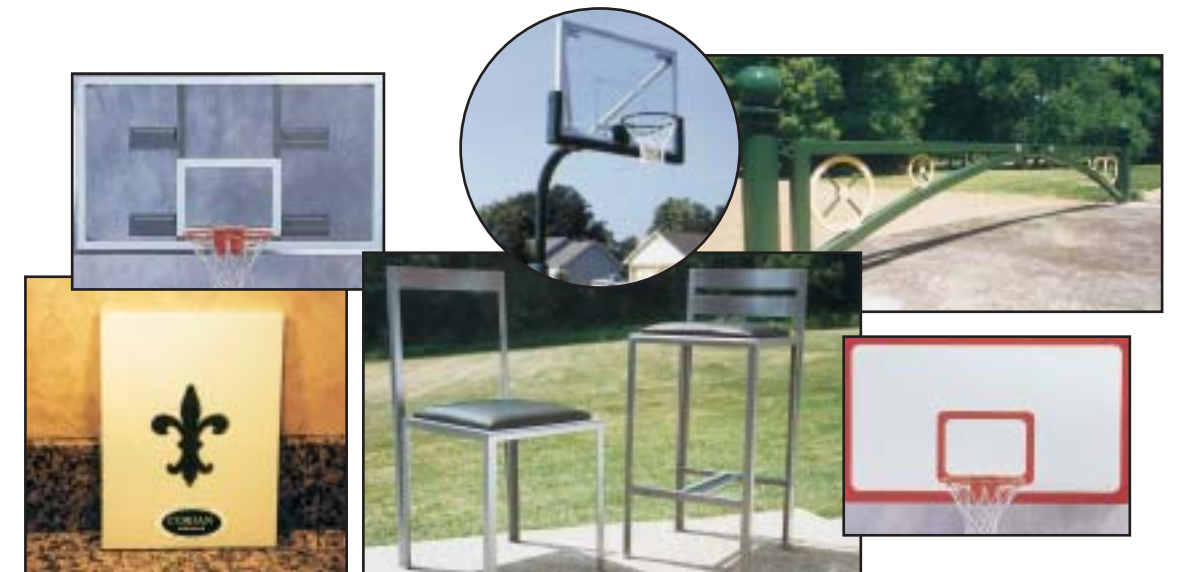


Riserboards



Other Products and Services

- Basketball Backboards
- Waterjet Cutting
- CNC Punching & Bending
- Custom Fabrication
- Certified Welding
- Prototype Work
- Engineering & Design
- Special Machinery





Warranty

Sinclair Industries warrants its bleachers, and the component parts of its manufacture to be free of defects of material and workmanship under normal use and service for a period of five (5) year from date of shipment. This warranty is void in the event of improper erection, vandalism or misuse.

Sinclair Industries will repair or replace any part found to be defective in material or workmanship, f.o.b. St. Louis, Missouri.

SINCLAIR INDUSTRIES MAKES NO OTHER WARRANTY OF ANY KIND, EXPRESS OR IMPLIED, WHETHER OF MERCHANTABILITY OR FITNESS FOR A PARTICULAR PURPOSE WHICH EXCEEDS THE AFOREMENTIONED OBLIGATIONS AND SUCH WARRANTIES ARE HEREBY DISCLAIMED AND EXCLUDED FROM THIS AGREEMENT.

Purchaser's exclusive remedy shall be for damages; provided, however, that for any and all losses or damages resulting from any cause whatsoever, including alleged defective or damaged parts or negligence of Sinclair Industries, purchaser agrees that Sinclair Industries' liability shall in no event exceed the purchase price of the alleged defective part or, at the election of Sinclair Industries, the repair or replacement of such defective or damaged part. In no event shall Sinclair Industries be liable for indirect, incidental, special or consequential damages.

Sinclair Industries, Inc.

1317 Kentucky Avenue
St. Louis, Missouri
63110
314.535.6335
800.247.5946
314.535.7848 fax



www.snclr.com